

# Fig. 65

## Light Duty Adjustable Clevis

**Size Range:** 3/8" through 4"

**Material:** Carbon steel

**Finish:** Plain or Galvanized

**Service:** Recommended for suspension of **stationary** pipe or conduit.

**Maximum Temperature:** Plain 650° F, Galvanized and Epoxy 450° F

**Approvals:** Complies with Federal Specification WW-H-171-E (Type 12).

**Installation:** Hanger load nut above the clevis must be tightened securely to assure proper hanger performance.

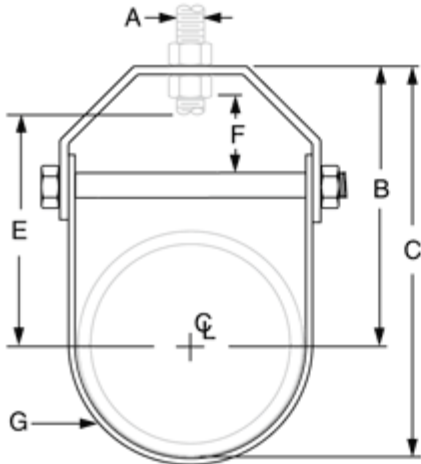
**Adjustment:** Vertical adjustment is provided, varying with the size of clevis. Tighten upper nut after adjustment.

**Features:** An economical attachment for light duty service.

**Ordering:** Specify pipe size, figure number, name and finish.

**Metric nut available upon request.**

**Caution:** When an oversize clevis is used, a pipe spacer or multispace should be placed over clevis bolt to ensure that the lower U-strap will not move in on the bolt.



**FIG. 65: LOADS (LBS) • WEIGHT (LBS) • DIMENSIONS (IN)**

| Pipe Size | Max Load | Weight | Rod Size A | B       | C       | Rod Take Out E | Adjustment F | G Width Lower |
|-----------|----------|--------|------------|---------|---------|----------------|--------------|---------------|
| 3/8       | 150      | 0.09   | 3/8        | 1 1/2   | 1 27/32 | 1 1/16         | 5/16         | 5/8           |
| 1/2       |          | 0.10   |            | 1 11/16 | 2 3/32  | 1 1/4          | 7/16         |               |
| 3/4       | 250      | 0.17   |            | 1 7/8   | 2 13/32 | 1 7/16         | 1/2          | 3/4           |
| 1         |          | 0.18   |            | 2 5/32  | 2 13/16 | 1 11/16        | 5/8          |               |
| 1 1/4     |          | 0.21   |            | 2 17/32 | 3 3/8   | 2 1/16         | 13/16        |               |
| 1 1/2     |          | 0.24   |            | 2 13/16 | 3 13/16 | 2 3/8          | 15/16        |               |
| 2         |          | 0.26   |            | 3 11/32 | 4 17/32 | 2 7/8          | 1 3/16       |               |
| 2 1/2     | 350      | 0.50   |            | 3 27/32 | 5 5/32  | 3 3/4          | 1 5/16       | 3/4           |
| 3         |          | 0.59   |            | 4 15/32 | 6 7/32  | 3 7/8          | 1 5/8        |               |
| 3 1/2     |          | 0.62   |            | 4 31/32 | 6 31/32 | 4 3/8          | 1 7/8        |               |
| 4         |          | 0.77   | 5 11/32    | 7 25/32 | 4 15/16 | 2 1/8          |              |               |